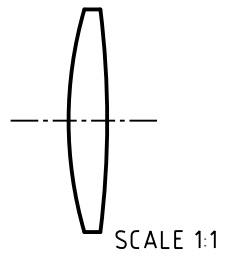
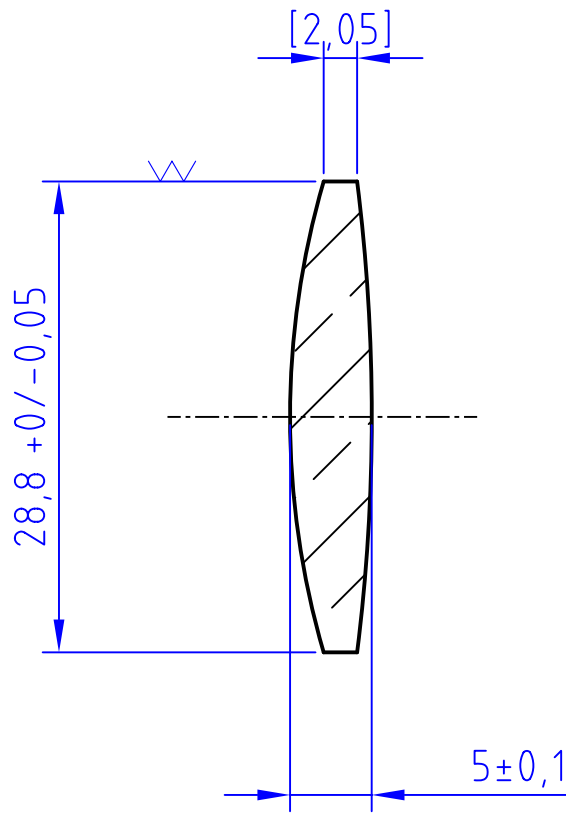


Rev.	Description	Date	Approved
-			



Left surface	Material specification	Right surface
Radius $51.45 \pm 0.1\%$ $\phi_e 25$ Protective chamfer 0.1 to 0.2 (λ) Acc. to specifications 3/ 3 (1) 4/ - 5/ 2×0.16 6/	Schott glass BK7 or equivalent 1.5168 ± 0.001 64.17 $\pm 0.3\%$ 10 3 x 0.25 over 100mm3 -;-	Radius $116.85 \pm 0.1\%$ $\phi_e 25$ NO Protective chamfer (λ) Uncoated 3/ 3 (1) 4/ 3' mechanical 5/ 2×0.16 6/

Indications in accordance with ISO 10110		All dimensions in mm		A4 v
Drawn	Approved	File name	Date	Scale

	Assy:	Page No.
	Item:	